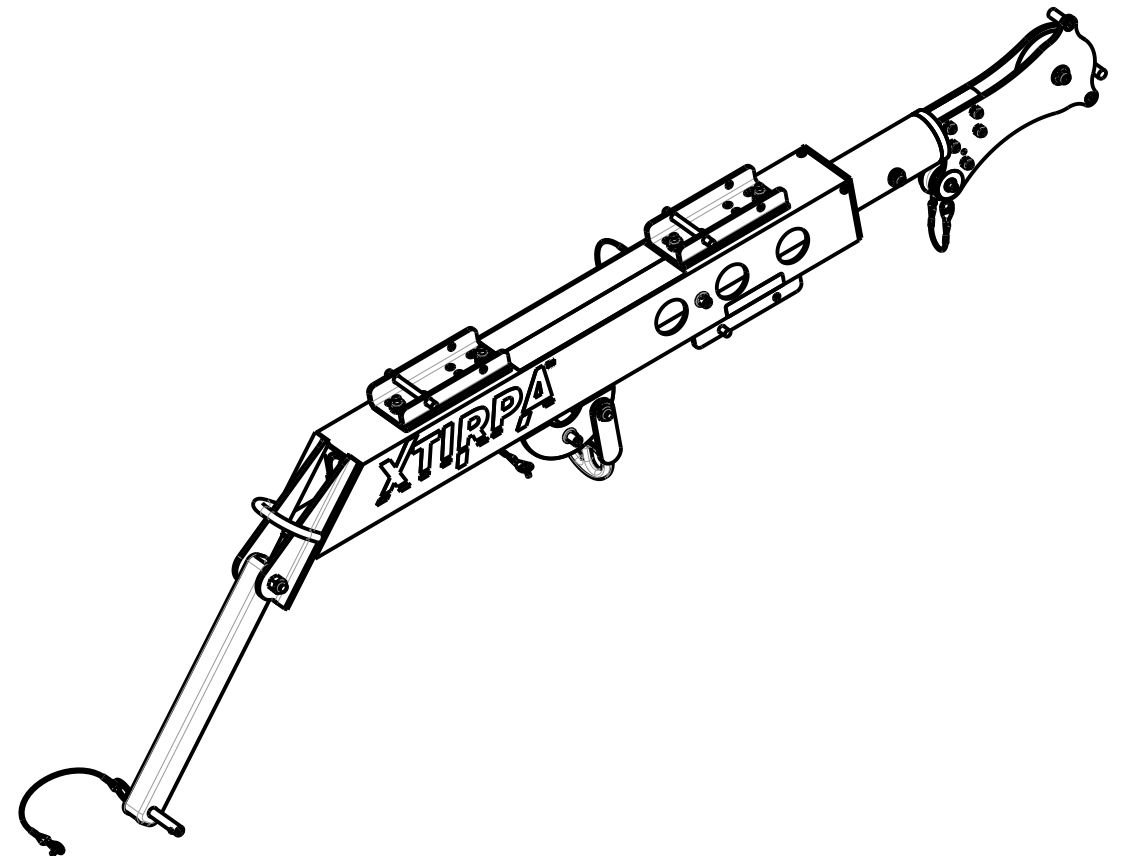
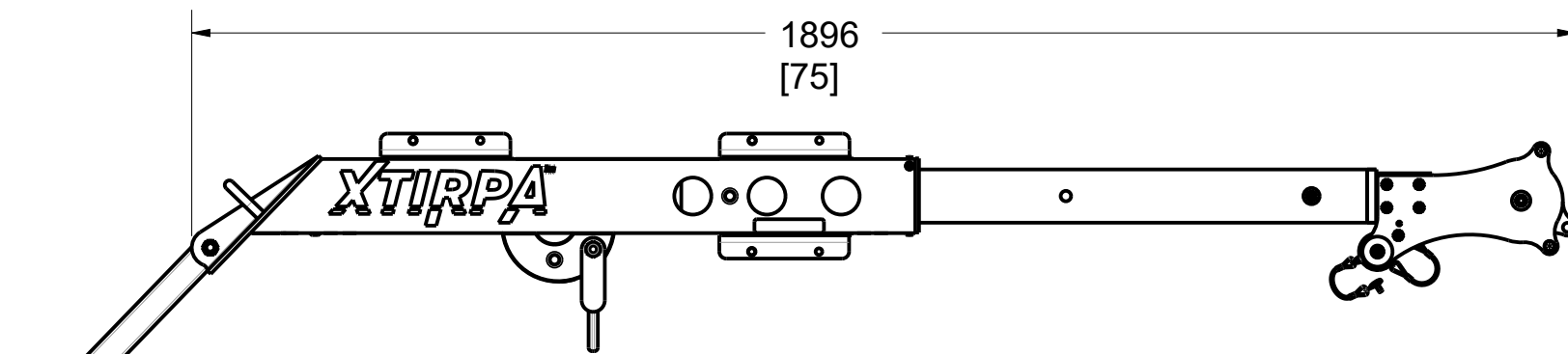
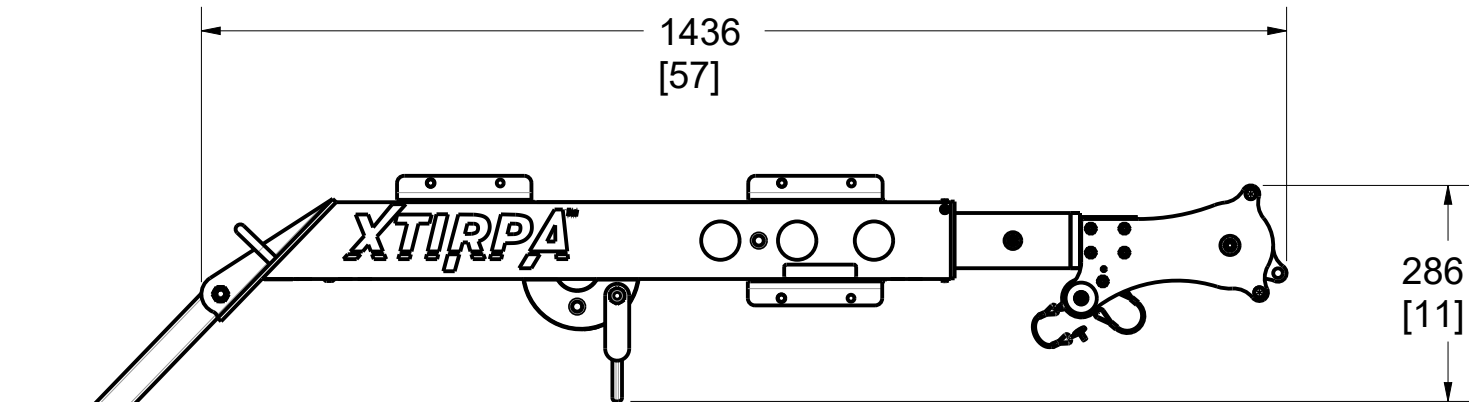
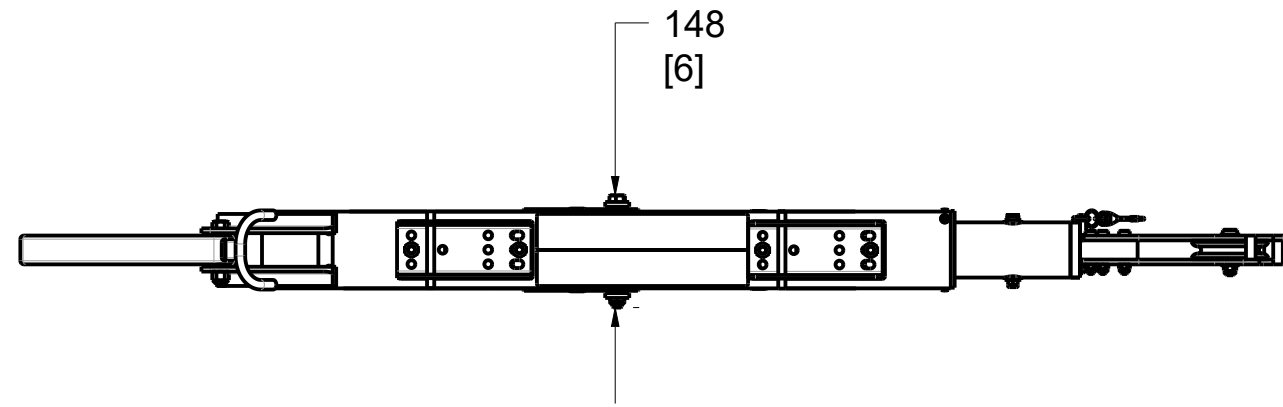
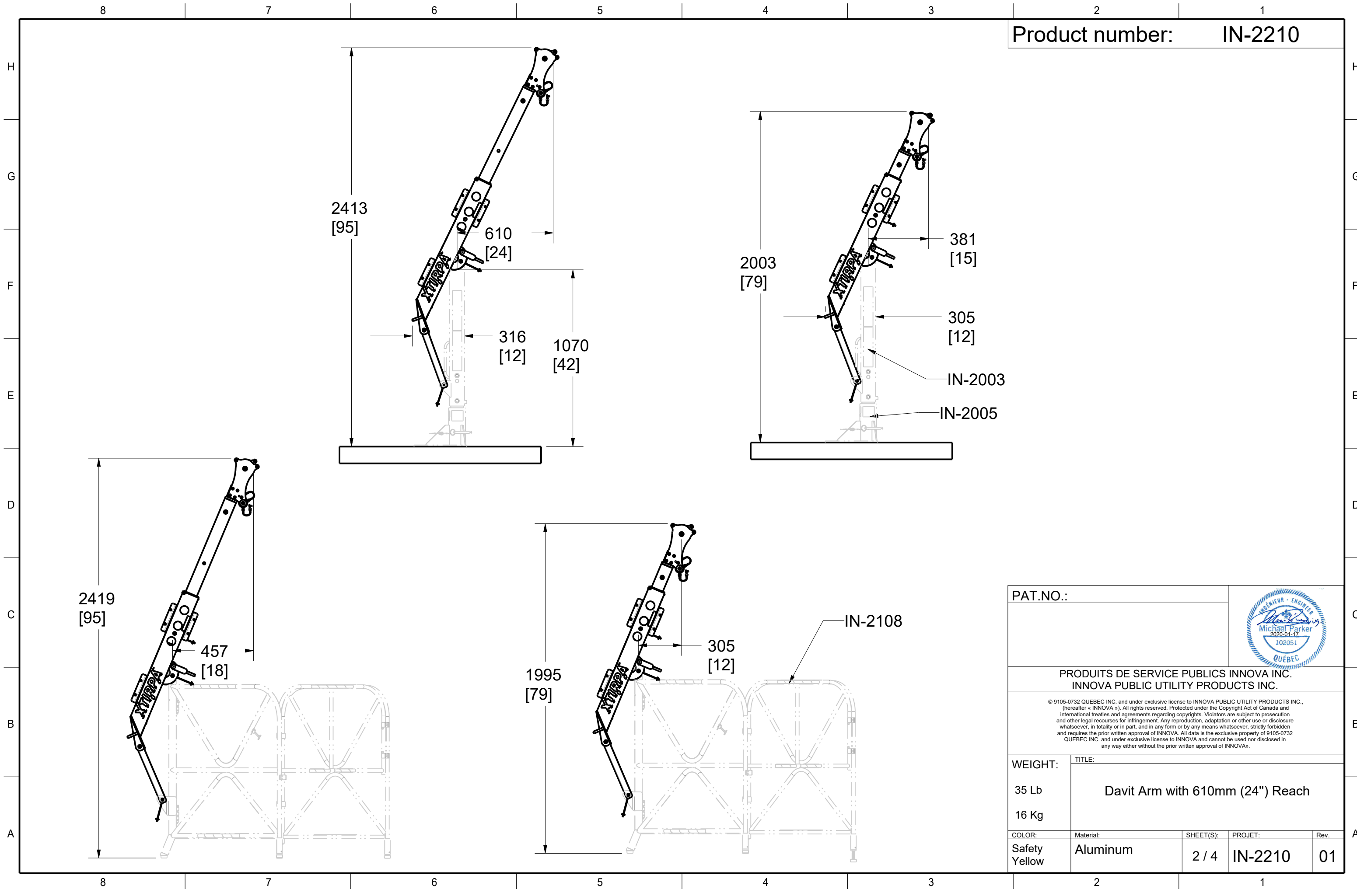



Product number: IN-2210



PAT.NO.:				
PRODUITS DE SERVICE PUBLICS INNOVA INC. INNOVA PUBLIC UTILITY PRODUCTS INC.				
<small>© 9105-0732 QUEBEC INC. and under exclusive license to INNOVA PUBLIC UTILITY PRODUCTS INC., (hereafter « INNOVA »). All rights reserved. Protected under the Copyright Act of Canada and international treaties and agreements regarding copyrights. Violators are subject to prosecution and other legal recourses for infringement. Any reproduction, adaptation or other use or disclosure whatsoever, in totality or in part, and in any form or by any means whatsoever, strictly forbidden and requires the prior written approval of INNOVA. All data is the exclusive property of 9105-0732 QUEBEC INC. and under exclusive license to INNOVA and cannot be used nor disclosed in any way either without the prior written approval of INNOVA.</small>				
WEIGHT:	TITLE:			
35 Lb	Davit Arm with 610mm (24") Reach			
16 Kg				
COLOR:	Material:	SHEET(S):	PROJET:	Rev.
Safety Yellow	Aluminum	1 / 4	IN-2210	01



PAT.NO.:				
PRODUITS DE SERVICE PUBLICS INNOVA INC. INNOVA PUBLIC UTILITY PRODUCTS INC.				
© 9105-0732 QUEBEC INC. and under exclusive license to INNOVA PUBLIC UTILITY PRODUCTS INC., (hereafter « INNOVA »). All rights reserved. Protected under the Copyright Act of Canada and international treaties and agreements regarding copyrights. Violators are subject to prosecution and other legal recourses for infringement. Any reproduction, adaptation or other use or disclosure whatsoever, in totality or in part, and in any form or by any means whatsoever, strictly forbidden and requires the prior written approval of INNOVA. All data is the exclusive property of 9105-0732 QUEBEC INC. and under exclusive license to INNOVA and cannot be used nor disclosed in any way either without the prior written approval of INNOVA.				
WEIGHT:	TITLE:			
35 Lb	Davit Arm with 610mm (24") Reach			
16 Kg				
COLOR:	Material:	SHEET(S):	PROJET:	Rev.
Safety Yellow	Aluminum	2 / 4	IN-2210	01

SPECIFICATIONS

H This equipment is considered as part of a personal fall arrest system (PFAS) with a maximum working capacity of 164 Kg (360 lb).

It is only to be used in conjunction with a personal fall arrest system that limits the maximum arrest force (MAF).

G Working load (mass) : In position 1,2 or 3
 With barricade IN-2108 and IN-2001: 191Kg (420 lb)
 With mast IN-2003: 164 Kg (360 lb)

Max Capacity with lifeline winch in position 1 and 2
 With barricade IN-2108 and IN-2001: 19,172 N (4,310 lbf)
 With mast IN-2003: 16,298 N (3,664 lbf)

F Max Capacity with material handling in position 3
 With barricade IN-2108 and IN-2001: 9,786 N (2,200 lbf)
 With mast IN-2003: 8,007 N (1,800 lbf)
 Max Capacity of anchor point: 22,241 N (5,000 lbf)

STANDARDS

Meets the following standards:

- E OSHA Personal fall arrest system: 1910.66 App C
- ANSI Safety requirements for personal fall arrest system, Subsystems and components Z359.1 (R1999) 2007
- CAN/CSA Fall arresters, vertical lifelines, and rails Z259.2.1-98
- CE EN 795:2012 Type A , B and E.
- CEN/TS 16415:2013 (2 Users)

MATERIAL AND CONSTRUCTION

- D Extension and guide tubes: Aluminum 6061-T6
- Davit-Arm link : Aluminum 6061-T6
- Anchorage hooks: 304 Stainless Steel
- Hardware: Zinc plated steel / Stainless Steel
- Guide tube sliders: UHMW
- Pulley: Black Acetal
- Finish: Yellow security powder point with metal protection base.
- C Welding Certification: CSA W47.2M

RESTRICTIONS

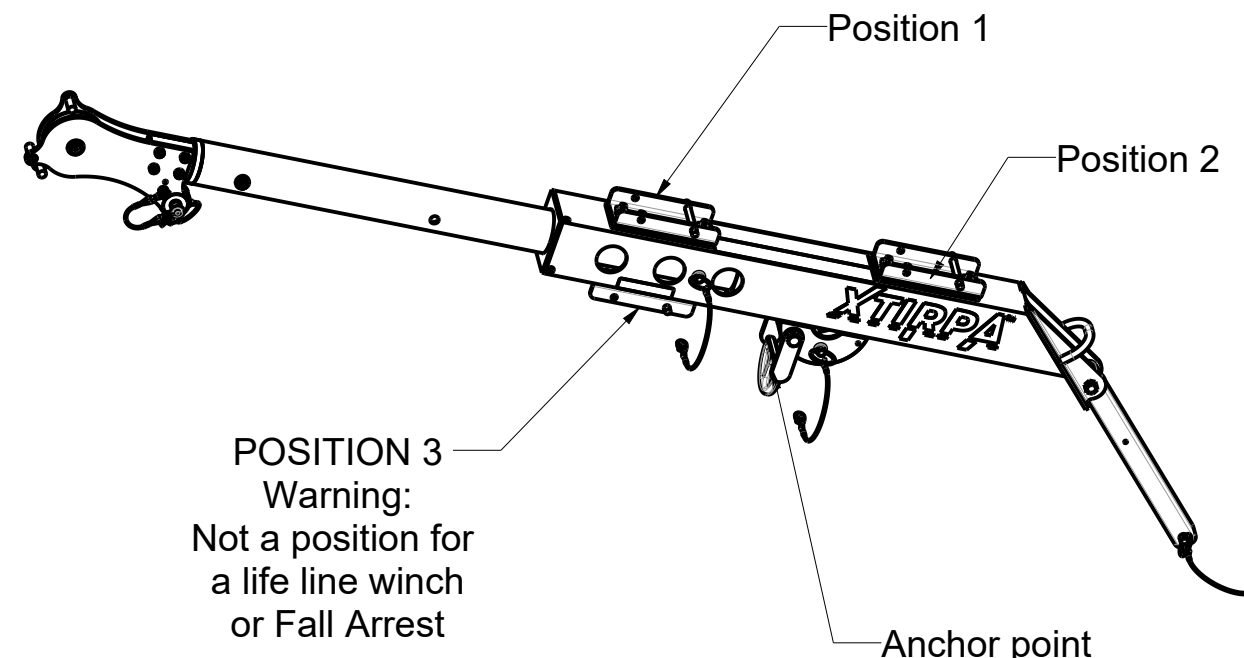
This product is to be used only with products approved by Innova Public Utility Products inc.


IMPORTANT :

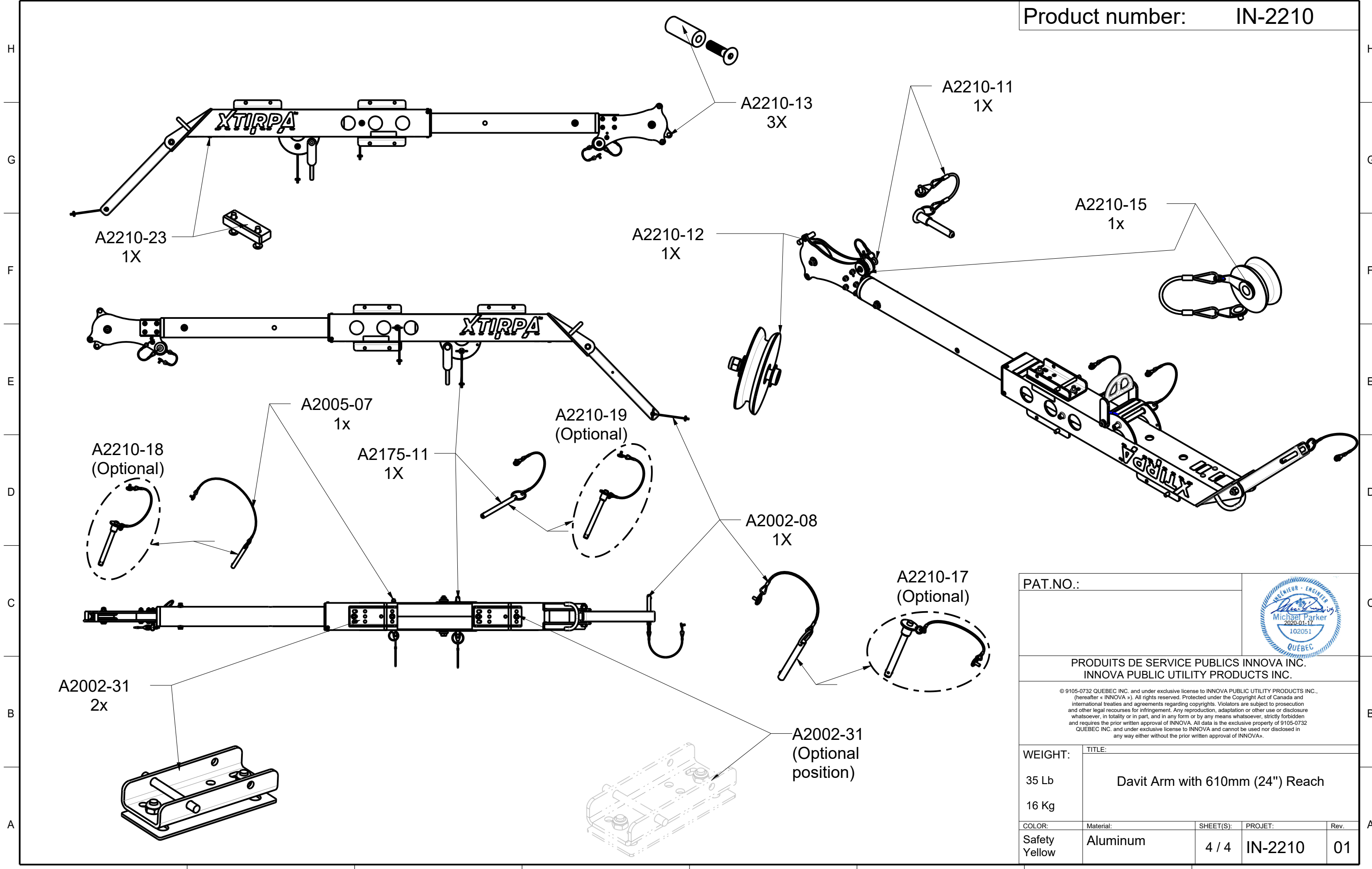
**The positioning pins must always be in place when manoeuvring personnel. Otherwise, serious injuries may occur.
 Periodic inspections of hardware must be done.
 In the occurrence of a fall or the safety of the equipment is in doubt, equipment must be immediately removed from service and inspected by qualified personnel before reuse.


** This equipment must always be operated in a level position.

Product number: **IN-2210**



PAT.NO.:				
PRODUITS DE SERVICE PUBLICS INNOVA INC. INNOVA PUBLIC UTILITY PRODUCTS INC.				
© 9105-0732 QUEBEC INC. and under exclusive license to INNOVA PUBLIC UTILITY PRODUCTS INC., (hereafter « INNOVA »). All rights reserved. Protected under the Copyright Act of Canada and international treaties and agreements regarding copyrights. Violators are subject to prosecution and other legal recourses for infringement. Any reproduction, adaptation or other use or disclosure whatsoever, in totality or in part, and in any form or by any means whatsoever, strictly forbidden and requires the prior written approval of INNOVA. All data is the exclusive property of 9105-0732 QUEBEC INC. and under exclusive license to INNOVA and cannot be used nor disclosed in any way either without the prior written approval of INNOVA.				
WEIGHT:	TITLE:			
35 Lb	Davit Arm with 610mm (24") Reach			
16 Kg				
COLOR:	Material:	SHEET(S):	PROJET:	Rev.
Safety Yellow	Aluminum	3 / 4	IN-2210	01



PAT.NO.:				
PRODUITS DE SERVICE PUBLICS INNOVA INC. INNOVA PUBLIC UTILITY PRODUCTS INC.				
<small>© 9105-0732 QUEBEC INC. and under exclusive license to INNOVA PUBLIC UTILITY PRODUCTS INC., (hereafter « INNOVA »). All rights reserved. Protected under the Copyright Act of Canada and international treaties and agreements regarding copyrights. Violators are subject to prosecution and other legal recourses for infringement. Any reproduction, adaptation or other use or disclosure whatsoever, in totality or in part, and in any form or by any means whatsoever, strictly forbidden and requires the prior written approval of INNOVA. All data is the exclusive property of 9105-0732 QUEBEC INC. and under exclusive license to INNOVA and cannot be used nor disclosed in any way either without the prior written approval of INNOVA.</small>				
WEIGHT:	TITLE:			
35 Lb	Davit Arm with 610mm (24") Reach			
16 Kg				
COLOR:	Material:	SHEET(S):	PROJET:	Rev.
Safety Yellow	Aluminum	4 / 4	IN-2210	01